

## Air sampler AS 730 and accessories



Air sampler AS 730 XL with filter holder D=200 mm (item no. 115524 + 112419 + 111268).

The air sampler AS 730 allows the sampling of a high volume of air within a short period of time – thus contributing to environmental protection.

- Suction and filtering of airborne particles using round filter papers.
- Filtration with round filters made of cellulose, glass fibres or activated charcoal with diameters of 105 und 200 mm. Further possibilities on request.
- Possibility for simultaneous air sampling on up to 4 different locations, in distances up to 10 m.
- The air flow rate depends on the filter paper used and the filter diameter. Please consult the product info 05199 (search term on web site).
- Silent operation, designed for 7d/24h use.
- Continuous operation or operating time time programmable up to 100 hrs with timer.
- Determination of the filtered air volume by a quantometer of high accuracy.
- Air flow rate adjustable between 20...100% by optional frequency converter.
- Version with optional counter of operational time: Display of operational hours (0.01 hr).
- The sampled air can be exhausted with an optional hose.
- Delivery with test protocol (incl. air flow rate).
- Voltage: 230 VAC / 1ph. / 50 Hz
- Power consumption 0.45 kW (AS 730)
- resp. 1.50 kW (AS 730 XL)
- Incl. safety cable (length 5m) and dust cover.
- Filter holders must be ordered separately (see accessories)



Quantometer of high accuracy. and timer.



Switches for on/off and operation mode,

### Options:

- Version with frequency converter for infinitely variable speed regulation (throughput)
- Version with volume preselection for automatic switch-off after reaching the preset collection volume
- Version with counter of time of operation on request

### Accessories (others see table below):

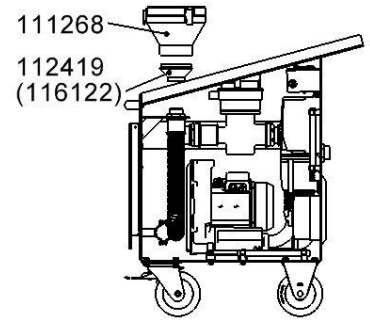
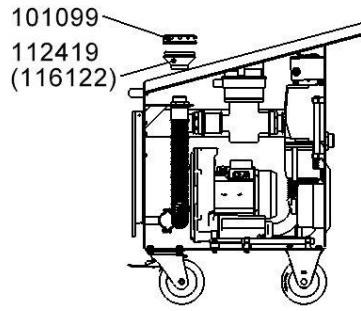
Testing quantometer for checking the quantometer: 116175



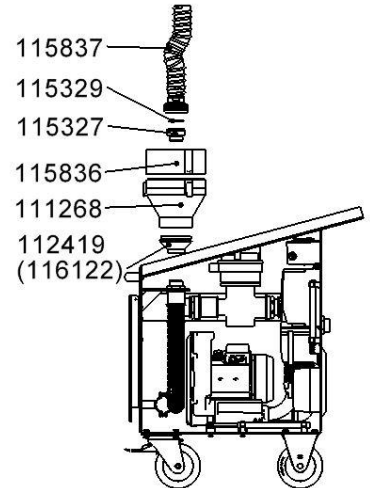
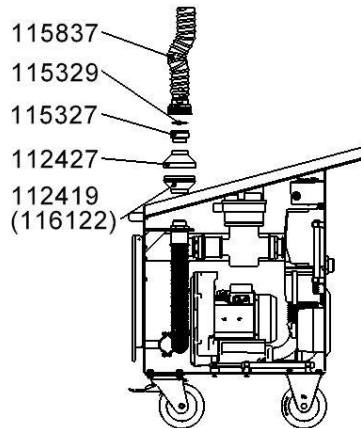
<b>Item number:</b>	<b>Designation:</b>	
115524	<b>Air sampler AS 730 XL</b> with timer Air flow rate with filter of cellulose D=200mm: ca. 100m <sup>3</sup> /h, Motor 1-ph., 1.50 kW Connection: Entry and exit: male thread G 1½" Excluding filter holder	
115959	<b>Air sampler AS 730 XL</b> Identical with 115524 additionally with volume preselection	
115965	<b>Air sampler AS 730 XL</b> Identical with 115524 additionally with frequency converter and motor 3-ph., 1.50 kW	
116634	<b>Air sampler AS 730</b> similar to 115524 but with air flow rate with filter of cellulose D=200mm: ca. 40m <sup>3</sup> /h, by motor 1-ph., 0.45 kW	
<b>Options:</b>		
on request	Version with <b>counter of time</b> of operation (115431)	
<b>Accessories:</b>		
103481	<b>Impeller anemometer</b> for measuring the air flow rate. (Suitable to thread ring no. 101099, see below)	
115979	<b>Calibration certificate</b> for anemometer	
115933	<b>Foldable table</b> 450x400mm as storage surface with 200 kg load capacity	
116175	<b>Testing Quantometer</b> , is connected upstream in order to be able to control the built-in quantometer	

<b>Overview Filter diameter system:</b>	<b>105 mm (100 mm)</b>	<b>200 mm</b>
---	------------------------	---------------

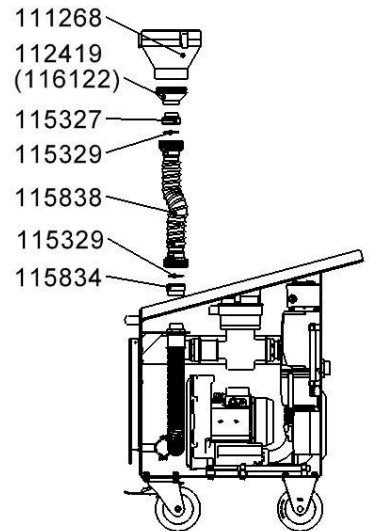
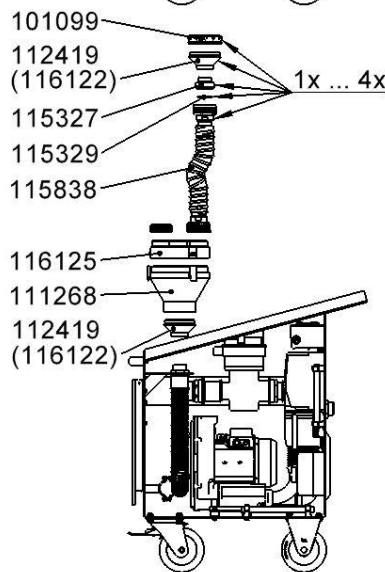
Filtering directly on the device



Filtering directly on the device with suction hose



Filtering on site with suction hose



Accessories for 105 mm (100 mm) filtering		Accessories for 200 mm filtering	
116122	Holder paper 100 mm	116122	Holder paper 100 mm
112419	Holder paper 105 mm	112419	Holder paper 105 mm
101099	Threaded ring for filter cone 105 mm	111268	Holder paper 200 mm
112427	Filter cone 105 mm top	115836	Collection cover for 1 hose
115327	Screw-in part AG 1 ½" AG 2 ¼"	115327	Screw-in part AG 1 ½" AG 2 ¼"
115329	O-ring ø 47 x 5.34 mm	115329	O-ring ø 47 x 5.34 mm
115837	Spiral hose set I L = 10 m	115837	Spiral hose set I L = 10 m
111268	Holder paper 200 mm	115834	Screw-in part IG 1 ½" AG 2 ¼"
116125	Collection cover for 4 hoses	115838	Spiral hose set II L = 10 m
115838	Spiral hose set II L = 10 m		